

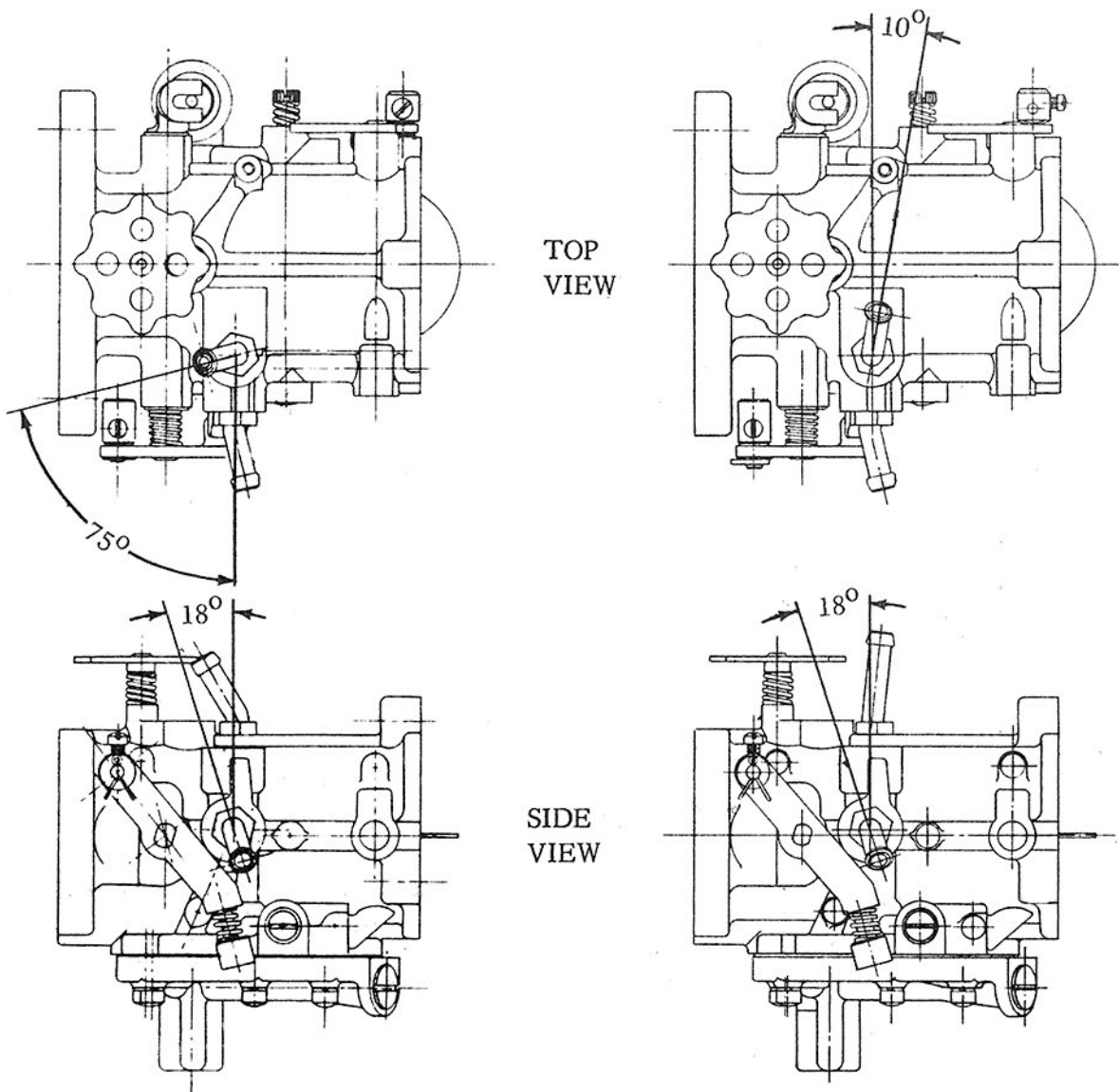
PART NUMBER

27160-66B
27162-66C
ORIG. 3/71

INSTRUCTIONS**HARLEY-DAVIDSON****GENUINE PARTS
AND ACCESSORIES**CARBURETOR

This carburetor includes inlet fittings which must be assembled to carburetor as shown below.

Assembly should be made as shown to prevent inlet fitting from interfering with throttle lever operation. Correct fitting location will also allow smooth bends in the fuel lines to insure adequate fuel supply to engine.



ELECTRA GLIDE
CARBURETOR

SPORTSTER
CARBURETOR

Harley-Davidson, Inc. has given us permission to provide this document on our website for the sole purpose of helping us restore our motorcycles.

Harley-Davidson, Inc. retains copyright over these materials, and NO reproduction or other use of these materials is permitted without prior authorization from Harley-Davidson, Inc.

The **Old Sportster and K-model Research Group (OSKRG)** is a group of individuals who have spent years researching the minute differences in the parts, fit, finish, and configuration of the Harley-Davidson 1952-1956 K-Models, and (early) 1957-1969 Sportster models.

The results of our research is published on our website
www.harleyKmodel.com