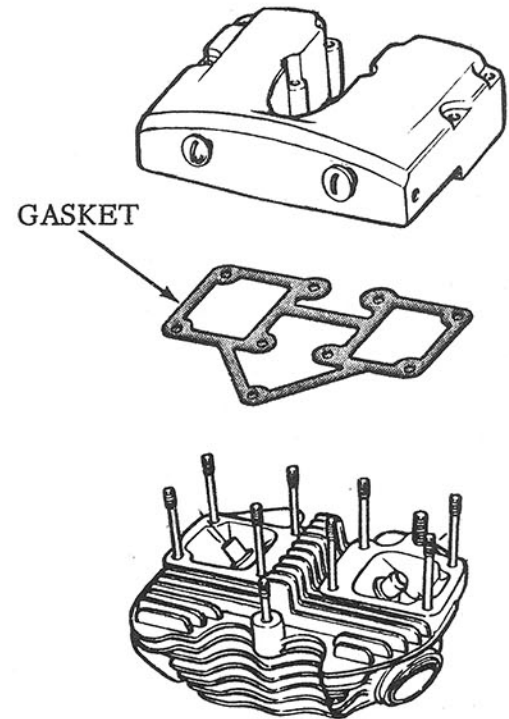


ROCKER ARM COVER GASKET / ELECTRA GLIDE, SPORTSTER

Rocker arm cover gaskets are being used on late 1969 Electra Glide engines beginning May 8, 1969 with engine Serial No. 69FLH 13633. This gasket, part No. 17540-69, can also be used on 74 OHV engines back to 1966.

The Sportster will also have rocker arm cover gaskets, part No. 17536-70, starting with the 1970 model season. This gasket can also be used on Sportster engines back to 1958.

The use of these gaskets will prevent possible oil leakage caused by slight surface irregularities.



HARLEY-DAVIDSON MOTOR CO., INC.

Harley-Davidson, Inc. has given us permission to provide this document on our website for the sole purpose of helping us restore our motorcycles.

Harley-Davidson, Inc. retains copyright over these materials, and NO reproduction or other use of these materials is permitted without prior authorization from Harley-Davidson, Inc.

The **Old Sportster and K-model Research Group (OSKRG)** is a group of individuals who have spent years researching the minute differences in the parts, fit, finish, and configuration of the Harley-Davidson 1952-1956 K-Models, and (early) 1957-1969 Sportster models.

The results of our research is published on our website
www.harleyKmodel.com